

P6 Pro Datasheet

Product Overview

The P6 Pro is a compact servo proportional valve designed for precise control in smaller and mid-sized industrial systems. Its fast response and fine resolution make it well suited to machinery that depends on accurate motion management in a smaller footprint, such as injection moulding, ceramics, and automated handling systems. It installs easily into existing NG06 platforms and brings dependable day to day performance with minimal setup.

Key Features

- Onboard electronics with spool position feedback
- Rated flow of up to 40 l/min (at 70 Bar ΔP)
- Based on the NG06 port pattern
- Bandwidth > 100 Hz (-3 dB, up to $\pm 25\%$ FS)
- Low power consumption of less than 5 W
- Chip shear capability of greater than 400 N
- Low weight of 630 g

Customisation

The P6 Pro is designed to be customised. Standard modifications include:

- Choice of rated flow from 5 to 40 l/min
- Multiple voltage or current control options
- Various seal materials available
- Non-standard configurations are available

Contents

Technical Data.....	2
Performance Graphs	3
Standards References	4
Unit Dimensions	4
Mounting Dimensions	5
LED Status	5
SKU Selection	6

Contact Us

If you have any questions about using the P6 Pro, or if you need a non-standard configuration, we would be happy to hear from you.

Contact us using the details below and one of our team will be able to assist you.

33 Colston Avenue, Bristol, BS1 4UA
+44 (0)333 090 5140
sales@domin.com
domin.com



Technical Data

General

Design	Direct Drive Servo Proportional Valve	
Actuation	Rotary-Linear	
Size	NG06	
Mounting Interface	ISO 4401-03-02	
Ambient Temperature	°C (°F)	-20 to +60 (-4 to +140)
Mass	kg (lb)	0.63 (1.39)
Vibration Resistance, All Axes ⁽¹⁾	g	30
Shock Resistance, All Axes ⁽²⁾	g	50

Hydraulic Data

Max. Operating Pressure (P, A, B)	Bar (psi)	350 (5,000)	
Max. Operating Pressure (T)	Bar (psi)	250 (3,600)	
Fluid	Hydraulic Oil DIN 51524		
Fluid Temperature	°C (°F)	-20 to +80 (-5 to +175)	
Filtration	ISO 4406 (1999) 18/16/13		
Viscosity	cSt	5 to 500	
Rated Flow ⁽³⁾	l/min (gpm)	5 to 25 (2.6 to 6.6)	25 to 40 (6.6 to 10.6)
Flow Maximum	l/min(gpm)	56 (14.8)	89 (23.5)
Pressure Gain	%/%	>40	
Leakage at 100 bar	l/min (gpm)	< 0.5 (0.13)	

Static/Dynamic Data

Response Time at 100% ⁽⁴⁾	ms	< 10	
Frequency Response (-3dB gain, ±25% signal) ⁽⁴⁾	Hz	> 100	
Frequency Response (-90deg phase, ±25% signal) ⁽⁴⁾	Hz	> 100	
Hysteresis	%	< 0.2	
Threshold	%	< 0.1	
Null Shift	%	< 1	

1. BS EN 60068-2 (20-35 Hz, 16 g for 15 minutes per axis, 35-2000 Hz, 35 g for 15 minutes per axis).

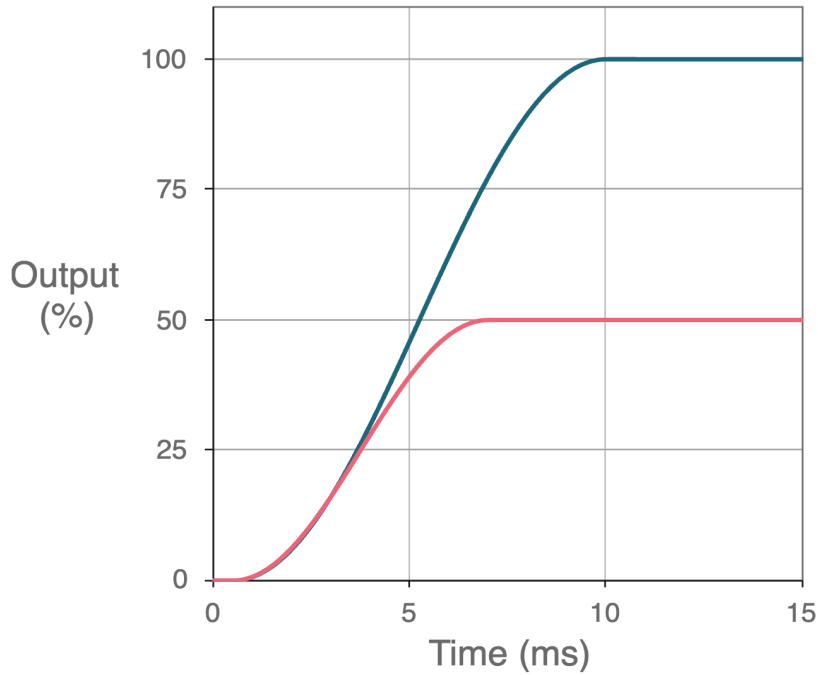
2. BS EN 60068-2 (20 shocks 50 g in Z axis).

3. Rated at a ΔP of 70 bar (35 bar per edge). 40 l/min only available for axis cut valves.

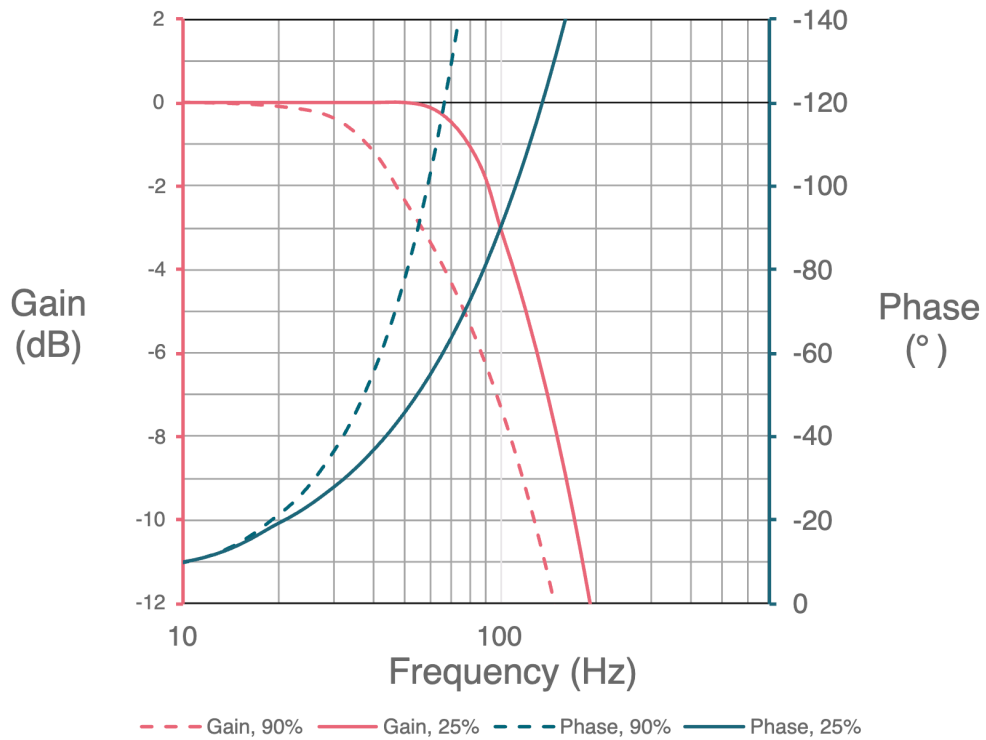
4. Measured as 90% output rise time with Δ70 bar P-T (two control edges).

Performance Graphs

Step Response⁽¹⁾



Frequency Response⁽¹⁾



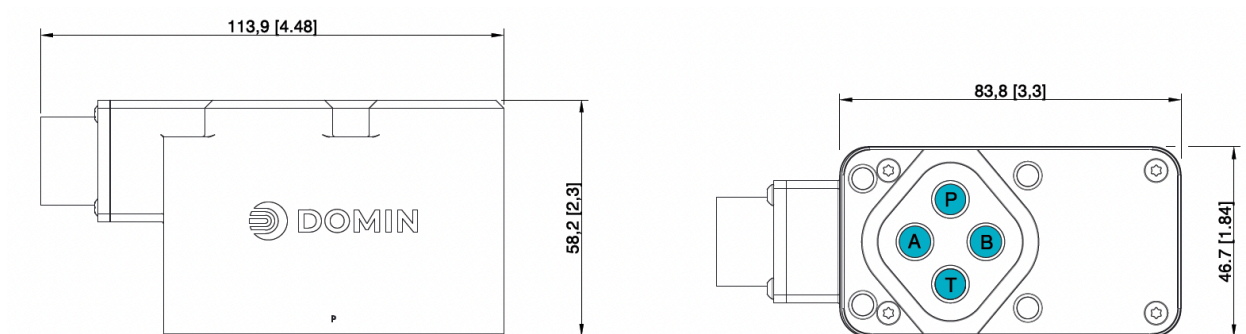
1. Measured at a 70 bar pressure drop.

Standards References

EMC Regulations:	Immunity: EN 61000-6-2, Emission: EN 61000-6-3
Performance Tests:	ISO 10770-1
Pressure Rating:	ISO 10771
Hydraulic Interface:	ISO 4401-03-02

Unit Dimensions

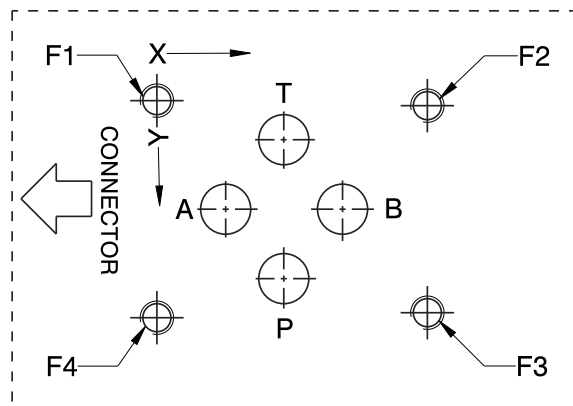
Connector Code E and E4



Nominal dimensions are displayed in mm, [] indicates inches. Not to scale.

Mounting Dimensions

		P	A	B	T	F1	F2	F3	F4
Diameter	mm	7.5	7.5	7.5	7.5	M5	M5	M5	M5
X Position	mm	21.5	12.7	30.2	21.5	0	40.5	40.5	0
Y Position	mm	25.9	15.5	15.5	5.1	0	0.75	31.75	31



Bolts (F1, F2, F3, F4)

Type: M5 x 55 mm DIN EN ISO 4762-10.9

Required Torque: 7.5 Nm (5.5 ft-lbf)

O-Rings (P, A, B, T)

Type: 9.25 x Ø 1.78 (ISO 3601-1-012)

LED Status

LED Colour	LED State	Motor Drive State	Valve State
Green	Solid - On	Motor Drive On	Valve OK
	Flashing	Motor Drive On	Warning Present
Red	Solid - On	Motor Drive Off	Valve OK
	Flashing	Motor Drive Off	Error Present

SKU Selection

Use our SKU builder to configure your Domin Valve. If you need a non-standard setup or a bespoke option, just get in touch – we can tailor a solution to suit your exact requirements.

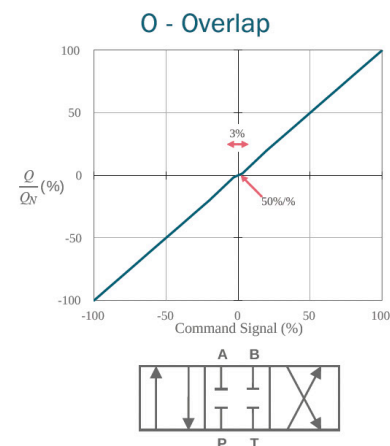
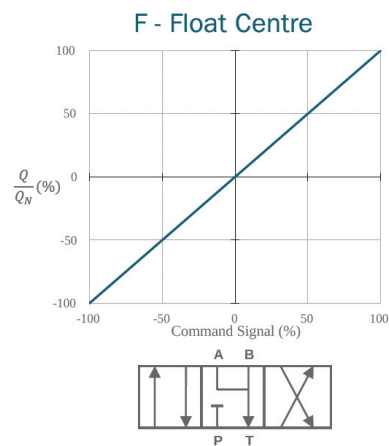
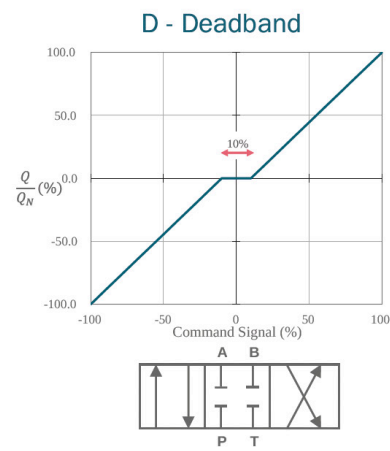
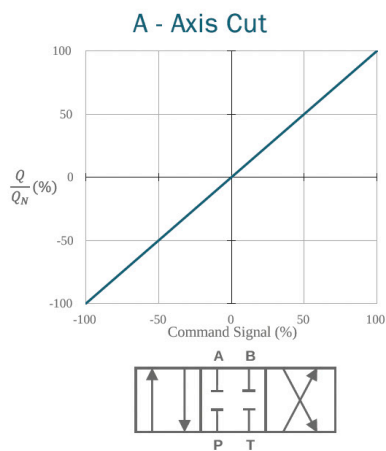
P6 Pro		1	2	3	4	5	6	7	8	Custom ID
Code 1	Rated Flow									Code 9
5 to 40	l/min									
5 to 40R	l/min, Reverse									
Code 2	Spool Lap Condition									Code 8
A	Axis Cut									N
D	Deadband									V
F	Float Centre									X
O	Overlap									
X	Special Enquiries									
Code 3	Input/Output Signal									Code 7
A	± 10 V									R
B	± 20 mA									X
C	4 to 20 mA									
D	± 5 V									
E	± 5 mA									
F	± 10 mA									
X	Special Enquiries									
Code 4	Power Off Position									Code 6
C	Centre									N
X	Special Enquiries									Y
										Code 5
										E
										E4
										X

Code 1 Rated Flow

Any value in range 5 to 40 l/min rated at 35 bar ΔP per control edge. R – Suffix for reversal of A and B port e.g. 40R

Code 2 Lap Condition

	Overlap Region (%)	Flow Gradient (%/%)	
A Axis Cut	0	100	1% mechanical overlap, linearised
D Deadband	± 10	0	10% mechanical overlap, 10% flow dead band
F Float Centre	0	100	3% overlap P, 3% underlap T, linearised
O Overlap	± 3	50	3% mechanical overlap, linearised to 50% gain over centre
X	For other options please enquire		



Code 3 Control Methods

Code	Input Signal	Input Impedance	Output Signal	Output Load Impedance
A	± 10 V	200 k Ω	± 10.5 V	-
D	± 5 V		± 5.25 V	
E	± 5 mA	402 Ω	± 5.25 mA	600 Ω
F	± 10 mA		± 10.5 mA	
B	± 20 mA		± 21 mA	
C ⁽¹⁾	4 to 20 mA		3.8 to 21 mA	600 Ω
X	For other options please enquire			

1. For 4 to 20 mA input signal, a current input below 2 mA will disable the motor drive
2. Valves with a current command signal use a 0.1% tolerance shunt resistor to measure demand current.
3. For differing input and output signals, use two letters, e.g. AC denotes ± 10 V input and 4 to 20 mA output

Electrical

Supply Voltage (Operational)	V	22 to 30
Supply Voltage (Absolute) ⁽¹⁾	V	-0.5 to 33
Current Consumption ⁽²⁾	A	0.2
Peak Current Draw ⁽³⁾	A	4.5

1. Conditions outside the absolute maximum ratings may cause permanent damage to the valve. These are absolute ratings only.
Operation of the product outside of the nominal operating conditions is not guaranteed and may affect product reliability
2. Approximate current consumption for 100 Hz at 25 % amplitude
3. The valve supply must be protected with a 5 AT fuse or equivalent overcurrent protection device

Code 4 Power Off Position

C	Centre. The spool is intended to return to centre passively under typical flow conditions.
X	For other options please enquire

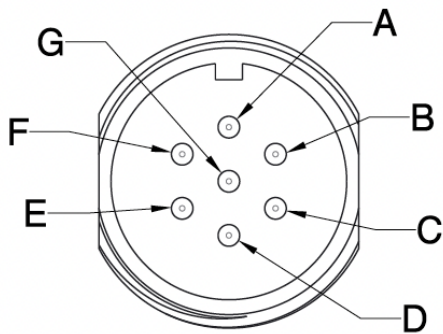
Code 5 Electrical Connectors

6 + PE Circular Connector (E)

Type: Case-Mounted

Termination: Connector according to EN 175201-804/MIL 5015 equivalent, shell size 14

Number of Contacts: 7



Pin	Function	Description
A	Supply +	+24 V
B	Supply 0 V	0 V
C ⁽¹⁾	Output - Enable input	Output 0 V Reference Drive enable input
D	Input +	Differential input signal, +
E	Input -	Differential input signal, -
F	Output +	Output Signal
G	Earth	-

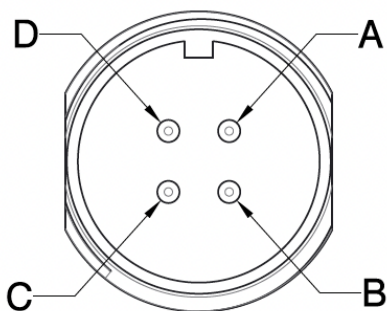
1. When the enable function is selected, the function of pin C is the enable input. This replaces the standard pin function.

4 Pin Circular Connector (E4)

Type: Case-Mounted

Termination: Connector according to EN 175201-804/MIL 5015 equivalent, shell size 14

Number of Contacts: 4



Pin	Function	Description
A	Supply +	+24 V
B	Input +	Differential input signal, +
C	Input -	Differential input signal, -
D	Supply 0 V	0 V

Code 6 Enable Modes

Valves can be provided with an enable function. This allows the valve to be enabled or disabled by varying the voltage into the enable pin. Note that valves with a code C command type can also be enabled or disabled using the command signal; see the corresponding table above for further details. Enable function is only applicable with Code E electrical connector option.

N No Enable Functionality

Y Enable mode

Normal Operating Conditions		Units	Min.	Typical	Max.
Enable Mode	Drive On	V	9	-	30
	Drive Off	V	0	-	5
	Input Impedance	kΩ	-	15	-

Code 7 Fluid Types

R Recommended - any hydraulic oil in accordance with DIN 51524, filtered in accordance with ISO4406 18/16/13. Compatibility with water-free synthetic fluids available on enquiry.

X For other options please enquire

Code 8 Seal Materials

N Nitrile (Shore 90)

V Viton (Shore 85)

X For other options please enquire
